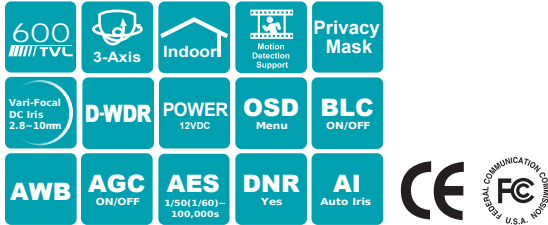


## ED610x

600 TVL D-WDR & 3-Axis Gimbal Mechanism  
Indoor Dome Camera



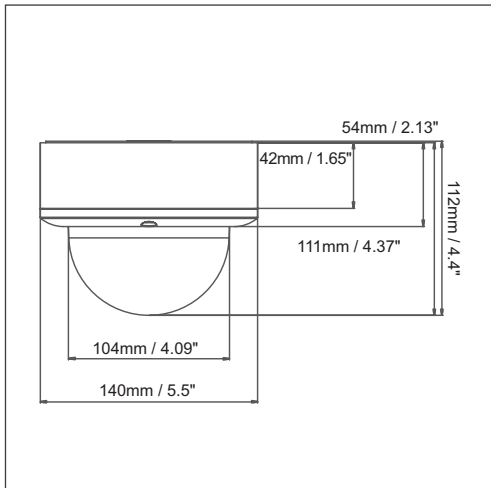
### Features

- 600 TVL High Resolution CCD Sensor
- Vari-Focal DC Iris Lens 2.8~10mm
- High sensitivity, low smear, high anti-blooming and high S/N ratio for high performance video
- Easy to use OSD Setup Menu
- Built-in DNR, D-WDR & Easy Day/Night functions
- Built-in Back Light Compensation (BLC), Auto Electronic Shutter (AES), Auto Gain Control (AGC) and Auto White Balance (AWB)
- Built-in Motion Detection, Privacy Mask advanced surveillance functions
- 3-Axis Gimbal Mechanism design fits flexible view perspective requirements

### Specifications

Pickup Device	1/3" High Sensitivity Color CCD	
Video Format	NTSC	PAL
Picture Elements	811(H) x 507(V)	795(H) x 595(V)
Horizontal Resolution	600 TVL	
Sensitivity	0.15 Lux/F=1.2	
S/N Ratio	Over 48dB (AGC off)	
Video Output	1.0Vp-p Composite, 75Ω ; BNC	
Gamma Correction	0.45	
Lens Type	Vari-Focal DC IRIS Lens 2.8~10mm/F1.2	
Back Light Compensation	HLC/BLC/OFF	
Auto Electronic Shutter	1/60(50) ~1/100,000sec.	
Auto Gain Control	AUTO (3 Steps)	
Auto White Balance	ATW1 / ATW2 / AWC / Manual	
Sync. Mode	Internal	
OSD Menu	OSD Control (English / Simplified Chinese)	
DNR	On/Off switch	
D-WDR	On/Off switch	
Mirror	On/Off Switch	
Motion Detection	4 Detection Zones	
Privacy Mask	8 Zones	
Power Source	12VDC	
Power Consumption	12VDC: 1W	
Operating Temperature	-10°C~50°C / 14°F~122°F	
Dimensions (O.D.xH)	140mm (O.D.) x 112mm (H) / 5.5" (O.D.) x 4.4" (H)	
Weight	410g/0.9lbs	
Certificates	CE,FCC	

### Dimensions



Accessories Option: Wall Bracket: BA-612 ; Ceiling Bracket: BA-613;  
Thread Metal Flexible Conduit Fittings: BA-614;  
Connection Box for Adapter: BA-615

\* All product specifications are subject to change without notice

\* Models vary in different countries. Please visit EverFocus regional websites for detailed ordering information

\* Lens models and availability vary in different regions