

TT-G10803EXPOE-BP120



- > 11x 10/100/1000Mbps auto-sensing RJ45 ports,
- 8x10/100/1000Mbps PoE ports, 2x Ethernet uplink port;
- 1x10/100/1000Mbps SFP uplink port;
- > Supports port auto-flip (Auto MDI/ MDIX);
- > Maximum power of single PoE port: 15.4W;
- > Adopts store-and-forward architecture;
- > IEEE 802.3af power on up to 8 ports;
- > protection: Excellent antithunder, anti static and;
- > small, compact and quiet design, suitable for desktop or wall;



Description

TT-G10803EXPOE is a compact The 8 Ports Gigabit PoE Ethernet Switch is an unmanaged Ethernet switch designed for Gigabit Ethernet access and PoE applications. It provides eight Gigabit downlink ports, and three Gigabit uplink Ethernet port.

The eight downlink ports support 802.3af/at standard and feature Max 30W PoE power output of single port, Max 120W of whole machine. It can be widely used in security surveillance, hotels, schools, engineering and other occasions.

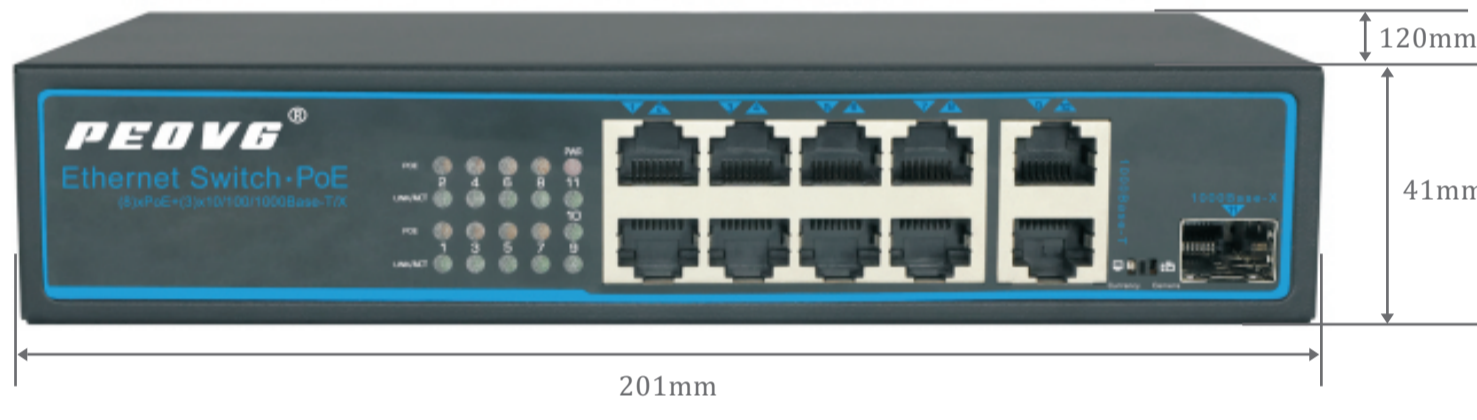
Applications

- > Security Monitoring System
- > Communications industrial
- > Transportation industrial
- > Multimedia Network Teaching System
- > Medical Monitoring Display System
- > Industrial Automation Control System
- > Banking, securities, financial information display system
- > Remote Network Server Monitoring
- > Department Store Security
- > Casino Security
- > Hospitals, Airports and banks
- > School Campuses

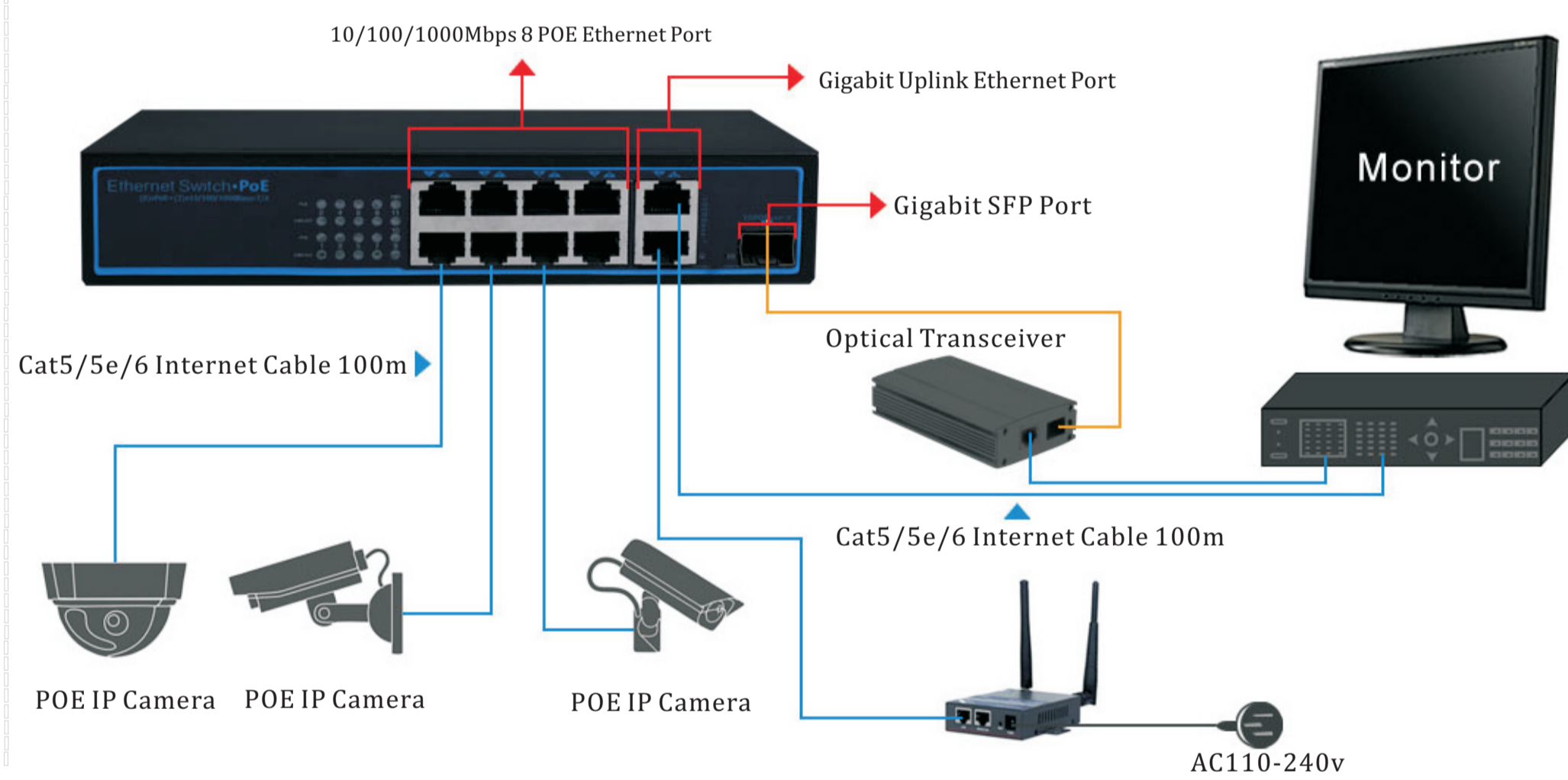
Specification

Item		Description
Power	Power Adapter Voltage	110-240V AC
	Consumption	120W
Network Connector	Network Port	1~10 Port : 10/100/1000Mbps Ethernet port
		Uplink Port : two Ethernet 1000Mbps SFP 1000Mbps one
	Transmission DistanceAA	1~10 Port : 0 ~ 100m; SFP: depends on the optical module
Transmission Medium		Cat5/5e/6 standard network cable
Network Switch	Network Standard	IEEE 802.1Q, IEEE 802.1u, IEEE 802.1x, IEEE 802.3ab
	Switching Capacity	22Gbps
	Packet Forwarding Rate	16.364Mpps
	MAC Table	4K
Power Over Ethernet	POE Standard	IEEE 802.3af
	POE Power Supply Type	End-Span(1/2+;3/6-)
	PoE Power Consumption	af? 15.4W, at? 30W(every port)
LED Status Indicator VLAN/Ext end	POE Ethernet LED Indicator	Power: 1 red light indicates that the power normal work
		POE: 8 yellow lights indicate that the POE is power on
		Ethernet: 11 green lights indicate that the Ethernet link and act;
Environmental	Working temperature	0°C~55°C
	Relative Humidity	20~95%
	Storage temperature	-20°C~70°C
Mechanical	Dimension (L×W×H)	201 mm *120 mm *41mm
	Color	Black
	Weight	699g
Stability	MTBF	>30000h

Dimension

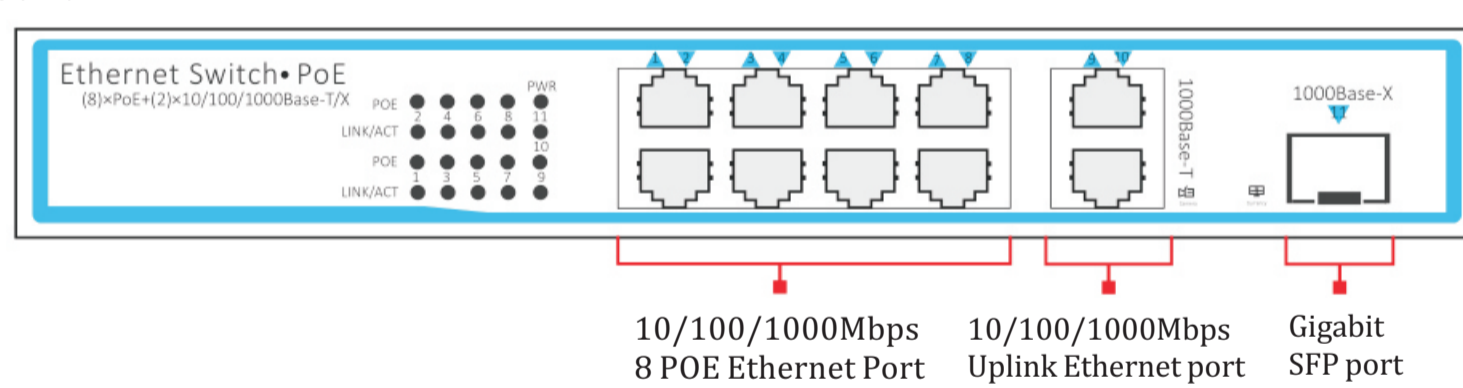


Application

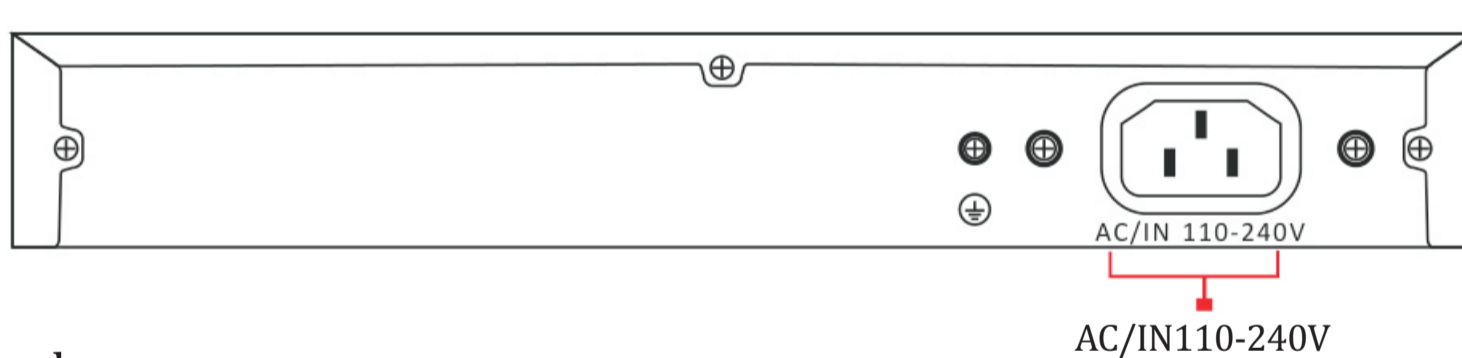


Board Diagram

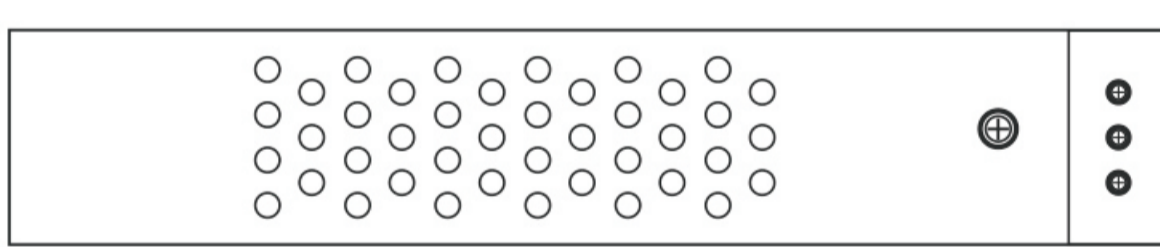
Front board



Back board



Side board



Plug Producing Method

Instruments to be used: wire crimper, network tester. Wire sequence of RJ45 plug should conform with EIA/TIA568A or 568B;

- 1) Please separate 7 the insulating layer, and bare 4 pairs UTP cable;
- 2) Separate the 4 pairs UTP cable and straighten them;
- 3) Line up the 8 pieces of cables per EIA/TIA 568A or 568B;
- 4) Cut off the cables to leave 1.5cm bare wire;
- 5) Plug 8 cables into RJ45 plug make sure each cable is in each pin;
- 6) Use the wire crimper to crimp it;
- 7) Repeat above 5 steps to make the another end;
- 8) Use network tester to test the cable if it works;

Pin Color
1 White/Green
2 Green
3 White/Orange
4 Blue
5 White/Blue
6 Orange
7 White/Brown
8 Brown



EIA/TIA568A

Pin Color
1.White/Orange
2.Orange
3.White/Green
4.Blue
5.White/Blue
6.Green
7.White/Brown
8.Brown



EIA/TIA568B

Notice

When choose RJ45 make sure if one end is EIA/TIA568A, the other end should also be EIA/TIA568A. When choose RJ45 make sure if one end is EIA/TIA568B, the other end should also be EIA/TIA568B.

Package List

Designation	Quantity
POE Switch	1PC
Power adapter / Power adapter cable	1PC
User Manual	1PC