

DH-IPC-HFW1430DS1-SAW

4MP IR Fixed-focal Wi-Fi Bullet Network Camera



System Overview

With features of simple installation, easy operation, and high performance-cost ratio, Dahua Entry series network camera is applicable to small and medium-sized scenes, such as homes/residences, small-sized retail stores, and other small and medium-sized enterprises.

Functions

Smart H.265+ & Smart H.264+

With advanced scene-adaptive rate control algorithm, Dahua smart encoding technology realizes the higher encoding efficiency than H.265 and H.264, provides high-quality video, and reduces the cost of storage and transmission.

Motion Detection

When moving objects appear in the monitoring image, Dahua Motion Detection technology triggers alarm or records.

Day/Night

Dahua Day/Night function provides color image when illumination is adequate; when illuminance is inadequate, it switches night mode and provides white and black image. It can guarantee that the network camera can work normally when illuminance changes.

Protection (IP67, Wide Voltage)

IP67: The camera passes a series of strict test on dust and soak. It has dust-proof function, and the enclosure can work normal after soaking in 1 m deep water for 30 minutes.

Wide voltage: The camera allows $\pm 30\%$ (for some power supplies) input voltage tolerance (wide voltage range), and it is widely applied to outdoor environment with instable voltage.

- 4-MP 1/3" CMOS image sensor, low luminance, and high definition image.
- Outputs max. 4 MP (2560 × 1440)@20 fps, and max. supports 3 MP (2304 × 1296)@25/30 fps.
- H.265 codec, high compression rate, ultra-low bit rate.
- Built-in IR LED.
- SMART H.264 +/H.265+, flexible coding, applicable to various bandwidth and storage environments.
- DWDR, 3D NR, BLC, digital watermarking, applicable to various monitoring scenes.
- Abnormality detection: Motion detection, video tampering, audio detection, no SD card, SD card full, SD card error, network disconnection, IP conflict, illegal access.
- The antenna offers 2.4G Wi-Fi with a range of 80 m.
- Supports max. 256 G Micro SD card. Built-in MIC.
- 12 VDC power supply.
- IP67 protection.



Cyber Security

Dahua network cameras employ a series of security technologies, including security authentication and authorization, access control protocols, trusted protection, encrypted transmission and encrypted storage. These technologies improve the camera's defense against external cyber threats and prevent malicious programs from compromising the device.

Technical Specification

Camera

Image Sensor	1/3" CMOS
Max. Resolution	2560 (H) × 1440 (V)
ROM	16 MB
RAM	64 MB
Scanning System	Progressive
Electronic Shutter Speed	Auto/Manual 1/3 s–1/100,000 s
Min. Illumination	0.03 lux@F2.0 (Color, 30 IRE) 0.003 lux@F2.0 (B/W, 30 IRE) 0 lux (Illuminator on)
S/N Ratio	>56 dB
Illumination Distance	30 m (98.43 ft) (IR LED)
Illuminator On/Off Control	Auto; Manual
Illuminator Number	1 (IR LED)

Pan/Tilt/Rotation Range	Pan: 0°–360° Tilt: 0°–90° Rotation: 0°–360°
-------------------------	---

Lens

Lens Type	Fixed-focal				
Lens Mount	M12				
Focal Length	2.8 mm; 3.6 mm				
Max. Aperture	F2.0				
Field of View	2.8 mm: H: 90°; V: 50°; D: 107° 3.6 mm: H: 76°; V: 40°; D: 92°				
Iris Control	Fixed				
Close Focus Distance	2.8mm: 1.0 m (3.28 ft) 3.6mm: 1.4 m (4.59 ft)				
DORI Distance	Lens	Detect	Observe	Recognize	Identify
	2.8 mm	68 m (223.10 ft)	27.2 m (89.24 ft)	13.6 m (44.62 ft)	6.8 m (22.31 ft)
	3.6 mm	85.2 m (279.53 ft)	34.1 m (111.88 ft)	17.0 m (55.77 ft)	8.5 m (27.89 ft)

Video

Video Compression	H.264B; H.264; H.264H; H.265
Smart Codec	Smart H.265+; Smart H.264+
Video Frame Rate	Main stream: 2560 × 1440 (1–20fps) Sub stream: 640 × 480@(1–25 fps) 640 × 480@(1–30 fps) *The values above are the max. frame rates of each stream; for multiple streams, the values will be subjected to the total encoding capacity.
Stream Capability	2 streams
Resolution	2560 × 1440 (2560 × 1440); 2304 × 1296 (2304 × 1296); 1080p (1920 × 1080); 1.3M(1280 × 960); 720p (1280 × 720)
Bit Rate Control	CBR/VBR
Video Bit Rate	H264: 24 kbps–4096 kbps H265: 9 kbps–4096 kbps
Day/Night	Auto (ICR)/Color/B/W
BLC	Yes
WDR	DWDR
White Balance	Auto; natural; street lamp; outdoor; manual; regional custom
Gain Control	Auto
Noise Reduction	3D NR
Motion Detection	OFF/ON (4 areas, rectangular)
Region of Interest (RoI)	Yes (4 areas)
Smart Illumination	Yes
Image Rotation	0°/180°
Mirror	Yes

Audio

Built-in MIC	Yes
--------------	-----

Alarm

Alarm Event	No SD card; SD card full; SD card error; network disconnection; IP conflict; illegal access; motion detection; video tampering; audio detection; intensity change
-------------	---

Network

Network Port	RJ-45 (10/100 Base-T)
Wi-Fi	IEEE802.11b/g/n 2.4000–2.4835 GHz; 2.4 G; EIRP ≤ 20dBm(CE); output power ≤ 30dBm(FCC)
Wireless Range	Up to 80 m (The performance varies based on actual environment)
SDK and API	Yes
Cyber Security	Video encryption; configuration encryption; digest; WSSE; account lockout; security logs; generation and importing of X.509 certification; HTTPS; trusted boot; trusted execution; trusted upgrade
Network Protocol	IPv4; HTTP; TCP; UDP; ARP; RTP; RTSP; RTCP; DHCP; DNS; NTP; Multicast; RTMP
Interoperability	ONVIF (Profile S/Profile G); CGI; P2P
User/Host	6 (Total bandwidth: 36 M)
Storage	Micro SD card (support max. 256 GB, sold separately)
Browser	IE Chrome Firefox
Management Software	Smart PSS; DSS; DMSS
Mobile Client	iOS; Android

Certification

Certifications	CE-LVD:EN62368-1; CE-EMC:Electromagnetic Compatibility Directive 2014/30/EU; CE-RED:Radio Equipment Directive 2014/53/EU; FCC:47 CFR FCC Part 15, Subpart B; FCC ID:FCC PART 15C
----------------	--

Power

Power Supply	12 VDC
Power Consumption	Basic: 2 W (12 VDC) Max. (H.265 + IR intensity): 4.3 W (12 VDC)

Environment

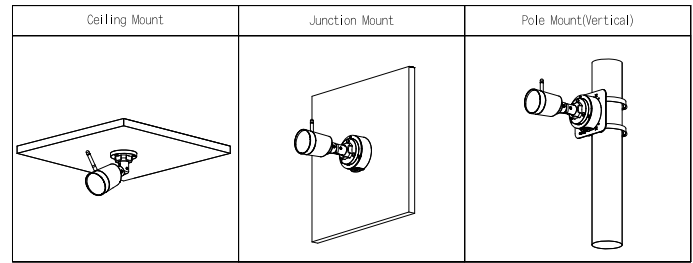
Operating Temperature	–30 °C to +55 °C (–22 °F to +131 °F)
Operating Humidity	≤95%
Storage Temperature	–30 °C to +60 °C (–22 °F to +140 °F)
Protection	IP67

Structure

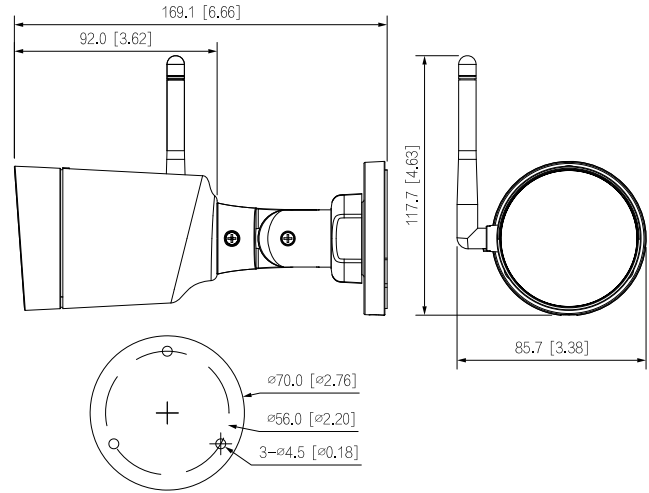
Casing	Front cover: Metal Rear: Plastic Bracket: Plastic
Product Dimensions	169.1 mm × 85.7 mm × 117.7 mm (6.66" × 3.37" × 4.63")
Net Weight	240.5 g (0.53 lb)
Gross Weight	362.0 g (0.80 lb)

Ordering Information

Type	Model	Description
4MP Camera	DH-IPC-HFW1430DS1P-SAW-0280B	4MP IR Fixed-focal Wi-Fi Bullet Network Camera
	DH-IPC-HFW1430DS1P-SAW-0360B	4MP IR Fixed-focal Wi-Fi Bullet Network Camera
	DH-IPC-HFW1430DS1N-SAW-0280B	4MP IR Fixed-focal Wi-Fi Bullet Network Camera
	DH-IPC-HFW1430DS1N-SAW-0360B	4MP IR Fixed-focal Wi-Fi Bullet Network Camera
	IPC-HFW1430DS1P-SAW-0280B	4MP IR Fixed-focal Wi-Fi Bullet Network Camera
	IPC-HFW1430DS1P-SAW-0360B	4MP IR Fixed-focal Wi-Fi Bullet Network Camera
	IPC-HFW1430DS1N-SAW-0280B	4MP IR Fixed-focal Wi-Fi Bullet Network Camera
	IPC-HFW1430DS1N-SAW-0360B	4MP IR Fixed-focal Wi-Fi Bullet Network Camera
Accessories (Optional)	PFA134	Junction Box
	PFA152-E	Pole Mount
	NBS05C120050VE	12V DC/0.5A Power Adapter
	PFM900-E	Integrated Mount Tester
	TF-P100	MicroSD Memory Card



Dimensions (mm[inch])



Accessories

Optional:



PFA134
Junction
Box



PFA152-E
Pole
Mount



NBS05C120050VE
12V DC/0.5A
Power Adapter



PFM900-E
Integrated
Mount Tester



TF-P100
MicroSD
Memory Card