

DH-IPC-HFW1230DS1-SAW

2MP IR Fixed-focal Wi-Fi Bullet Network Camera



System Overview

With features of simple installation, easy operation, and high performance-cost ratio, Dahua Entry series network camera is applicable to small and medium-sized scenes, such as homes/residences, small-sized retail stores, and other small and medium-sized enterprises.

Functions

Smart H.265+ & Smart H.264+

With advanced scene-adaptive rate control algorithm, Dahua smart encoding technology realizes the higher encoding efficiency than H.265 and H.264, provides high-quality video, and reduces the cost of storage and transmission.

Motion Detection

When moving objects appear in the monitoring image, Dahua Motion Detection technology triggers alarm or records.

Day/Night

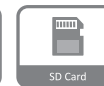
Dahua Day/Night function provides color image when illumination is adequate; when illuminance is inadequate, it switches night mode and provides white and black image. It can guarantee that the network camera can work normally when illuminance changes.

Protection (IP67, Wide Voltage)

IP67: The camera passes a series of strict test on dust and soak. It has dust-proof function, and the enclosure can works normal after soaking in 1 m deep water for 30 minutes.

Wide voltage: The camera allows $\pm 30\%$ (for some power supplies) input voltage tolerance (wide voltage range), and it is widely applied to outdoor environment with instable voltage.

- 2-MP1/2.8" CMOS image sensor, low luminance, and high definition image.
- Outputs max. 2 MP (1920 × 1080)@25/30 fps.
- H.265 codec, high compression rate, ultra-low bit rate.
- Built-in IR LED.
- SMART H.264 +/H.265+, flexible coding, applicable to various bandwidth and storage environments.
- DWDR, 3D NR, BLC, digital watermarking, applicable to various monitoring scenes.
- Abnormality detection: Motion detection, video tampering, audio detection, no SD card, SD card full, SD card error, network disconnection, IP conflict, illegal access.
- The antenna offers 2.4G Wi-Fi with a range of 80 m.
- Supports max. 256 G Micro SD card. Built-in MIC.
- 12 VDC power supply.
- IP67 protection.



Cyber Security

Dahua network cameras employ a series of security technologies, including security authentication and authorization, access control protocols, trusted protection, encrypted transmission and encrypted storage. These technologies improve the camera's defense against external cyber threats and prevent malicious programs from compromising the device.

Technical Specification

Camera

| | |
|----------------------------|---|
| Image Sensor | 1/2.8" CMOS |
| Max. Resolution | 1920 (H) × 1080 (V) |
| ROM | 16 MB |
| RAM | 64 MB |
| Scanning System | Progressive |
| Electronic Shutter Speed | Auto/Manual 1/3 s–1/100,000 s |
| Min. Illumination | 0.025 lux@F2.0 (Color,30 IRE) 0.0025 lux@F2.0 (B/W,30 IRE) 0 lux (Illuminator on) |
| S/N Ratio | >56 dB |
| Illumination Distance | 30 m (98.43 ft) (IR LED) |
| Illuminator On/Off Control | Auto; Manual |
| Illuminator Number | 1 (IR LED) |

| | |
|-------------------------|---|
| Pan/Tilt/Rotation Range | Pan: 0°–360° Tilt: 0°–90° Rotation: 0°–360° |
|-------------------------|---|

Lens

| | | | | | |
|----------------------|---|--------------------|-------------------|-------------------|------------------|
| Lens Type | Fixed-focal | | | | |
| Lens Mount | M12 | | | | |
| Focal Length | 2.8 mm; 3.6 mm | | | | |
| Max. Aperture | F2.0 | | | | |
| Field of View | 2.8 mm: H: 100°; V: 53°; D: 120° 3.6 mm: H: 86°; V: 43°; D: 102° | | | | |
| Iris Control | Fixed | | | | |
| Close Focus Distance | 2.8 mm: 0.6 m (1.97 ft) 3.6 mm: 1.0 m (3.28 ft) | | | | |
| DORI Distance | Lens | Detect | Observe | Recognize | Identify |
| | 2.8 mm | 46.9 m (153.87 ft) | 18.8 m (61.68 ft) | 9.4 m (30.84 ft) | 4.7 m (15.42 ft) |
| | 3.6 mm | 58.8 m (192.91 ft) | 23.5 m (77.10 ft) | 11.8 m (38.71 ft) | 5.9 m (19.36 ft) |

Video

| | |
|--------------------------|---|
| Video Compression | H.264B; H.264; H.264H; H.265 |
| Smart Codec | Smart H.265+; Smart H.264+ |
| Video Frame Rate | Main stream: 1920 × 1080 (1–25/30 fps) Sub stream: 640 × 480@(1–25 fps) 640 × 480@(1–30 fps) *The values above are the max. frame rates of each stream; for multiple streams, the values will be subjected to the total encoding capacity. |
| Stream Capability | 2 streams |
| Resolution | 1080p (1920 × 1080); 960p (1280 × 960); 720p (1280 × 720) |
| Bit Rate Control | CBR/VBR |
| Video Bit Rate | H264: 24 kbps–4096 kbps H265: 9 kbps–4096 kbps |
| Day/Night | Auto (ICR)/Color/B/W |
| BLC | Yes |
| WDR | DWDR |
| White Balance | Auto; natural; street lamp; outdoor; manual; regional custom |
| Gain Control | Auto |
| Noise Reduction | 3D NR |
| Motion Detection | OFF/ON (4 areas, rectangular) |
| Region of Interest (RoI) | Yes (4 areas) |
| Smart Illumination | Yes |
| Image Rotation | 0°/180° |
| Mirror | Yes |

Audio

| | |
|--------------|-----|
| Built-in MIC | Yes |
|--------------|-----|

Alarm

| | |
|-------------|--|
| Alarm Event | No SD card; SD card full; SD card error; network disconnection; IP conflict; illegal access; motion detection; video tampering |
|-------------|--|

Network

| | |
|---------------------|--|
| Network Port | RJ-45 (10/100 Base-T) |
| Wi-Fi | IEEE802.11b/g/n 2.4000–2.4835 GHz; 2.4 G; EIRP≤20dBm(CE); output power≤30dBm(FCC) |
| Wireless Range | Up to 80 m (The performance varies based on actual environment) |
| SDK and API | Yes |
| Cyber Security | Video encryption; Configuration encryption; Digest; WSSE; Account lockout; Security logs; Generation and importing of X.509 certification; HTTPS; Trusted boot; Trusted execution; Trusted upgrade |
| Network Protocol | IPv4; HTTP; TCP; UDP; ARP; RTP; RTSP; RTCP; DHCP; DNS; NTP; Multicast; RTMP |
| Interoperability | ONVIF (Profile S/Profile G); CGI; P2P |
| User/Host | 6 (Total bandwidth: 36 M) |
| Storage | Micro SD card (support max. 256 GB, sold separately) |
| Browser | IE Chrome Firefox |
| Management Software | Smart PSS; DSS; DMSS |
| Mobile Client | iOS; Android |

Certification

| | |
|----------------|--|
| Certifications | CE-LVD:EN62368-1; CE-EMC:Electromagnetic Compatibility Directive 2014/30/EU; CE-RED:Radio Equipment Directive 2014/53/EU; FCC:47 CFR FCC Part 15, Subpart B; FCC ID:FCC PART 15C |
|----------------|--|

Power

| | |
|-------------------|--|
| Power Supply | 12 VDC |
| Power Consumption | Basic: 1.9 W (12 VDC) Max. (H.265 + IR intensity): 4.2 W (12 VDC) |

Environment

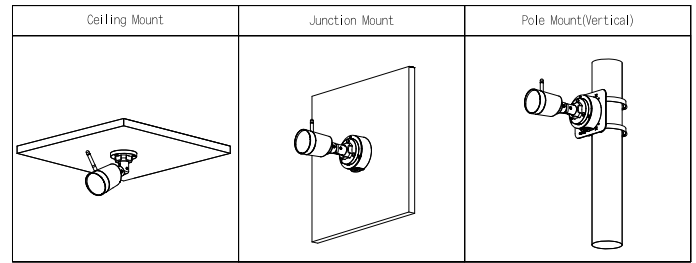
| | |
|-----------------------|--------------------------------------|
| Operating Temperature | –30 °C to +55 °C (–22 °F to +131 °F) |
| Operating Humidity | ≤95% |
| Storage Temperature | –30 °C to +60 °C (–22 °F to +140 °F) |
| Protection | IP67 |

Structure

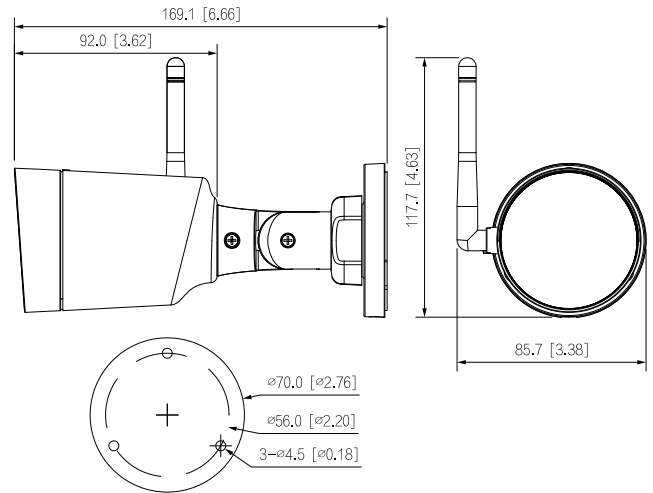
| | |
|--------------------|---|
| Casing | Front cover: Metal Rear: Plastic Bracket: Plastic |
| Product Dimensions | 169.1 mm × 85.7 mm × 117.7 mm (6.66" × 3.37" × 4.63") |
| Net Weight | 240.5 g (0.53 lb) |
| Gross Weight | 362.0 g (0.80 lb) |

Ordering Information

| Type | Model | Description |
|------------------------|------------------------------|--|
| 2MP Camera | DH-IPC-HFW1230DS1P-SAW-0280B | 2MP IR Fixed-focal Wi-Fi Bullet Network Camera |
| | DH-IPC-HFW1230DS1N-SAW-0280B | 2MP IR Fixed-focal Wi-Fi Bullet Network Camera |
| | DH-IPC-HFW1230DS1P-SAW-0360B | 2MP IR Fixed-focal Wi-Fi Bullet Network Camera |
| | DH-IPC-HFW1230DS1N-SAW-0360B | 2MP IR Fixed-focal Wi-Fi Bullet Network Camera |
| | IPC-HFW1230DS1P-SAW-0280B | 2MP IR Fixed-focal Wi-Fi Bullet Network Camera |
| | IPC-HFW1230DS1P-SAW-0360B | 2MP IR Fixed-focal Wi-Fi Bullet Network Camera |
| | IPC-HFW1430DS1P-SAW-0280B | 2MP IR Fixed-focal Wi-Fi Bullet Network Camera |
| | IPC-HFW1430DS1P-SAW-0360B | 2MP IR Fixed-focal Wi-Fi Bullet Network Camera |
| Accessories (Optional) | PFA134 | Junction Box |
| | PFA152-E | Pole Mount |
| | NBS05C120050VE | 12V DC/0.5A Power Adapter |
| | PFM900-E | Integrated Mount Tester |
| | TF-P100 | MicroSD Memory Card |



Dimensions (mm[inch])



Accessories

Optional:



PFA134
Junction
Box



PFA152-E
Pole
Mount



NBS05C120050VE
12V DC/0.5A
Power Adapter



PFM900-E
Integrated
Mount Tester



TF-P100
MicroSD
Memory Card